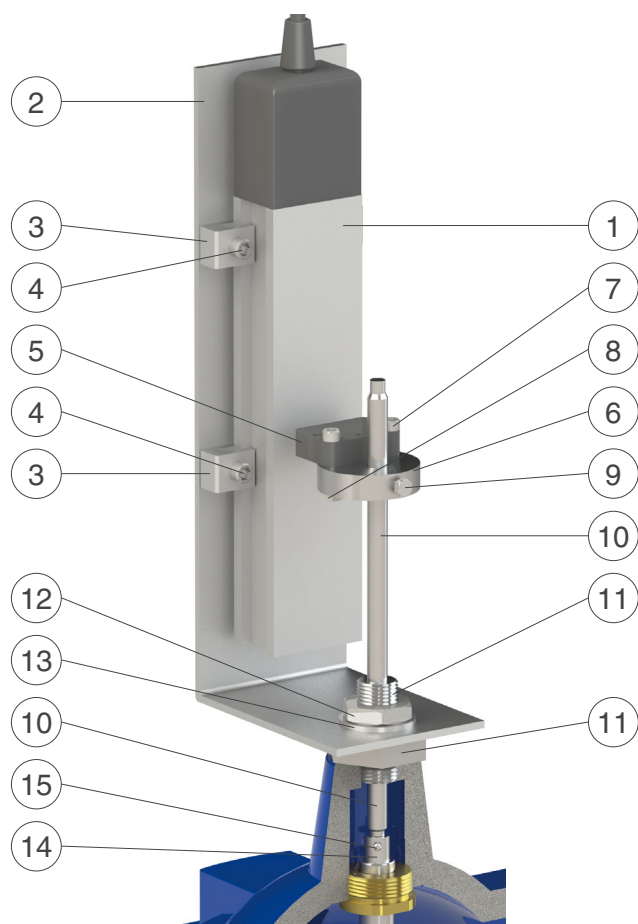


# Contactless linear position transducer with magnetostrictive technology - Mod. CSPL

The linear position transmission system model CSPL has been designed to be installed on XLC control valves series with the purpose of providing a 4-20 mA output, in relation to the opening percentage. It is operated by means of a magnet fixed on the control valve's indication stem, whose movement will impart the required signal through a contactless technology. The CSPL is usually supplied with step by step or pressure management XLC control valve, although it can be assembled on any existing CSA valve simply by replacing few components.



N.	Component	Material
1	Position transducer	aluminium
2	Bracket	stainless steel
3	Bracket connections	aluminium
4	Screws	stainless steel
5	Magnet	stainless steel
6	Magnet support	stainless steel
7	Screws	stainless steel
8	Nuts	stainless steel
9	Screw	stainless steel
10	Stem	stainless steel
11	Guiding nut	stainless steel
12	Nut	stainless steel
13	Washer	stainless steel
14	Connecting screw	stainless steel
15	Mechanical stop pin	stainless steel

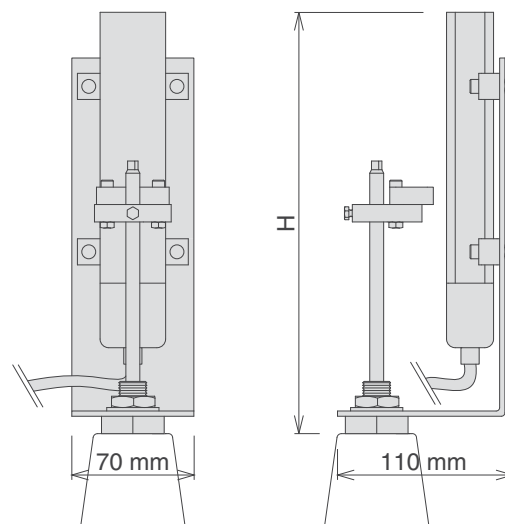
The list of materials and components is subject to changes without notice.

## Working conditions

Treated water maximum 70°C.  
Maximum pressure: 25 bar.

## Dimensions

DN of XLC valve mm	H mm
from 50 to 200RB	265
from 200FB to 400RB	310
from 400FB to 600RB	340



## Standard

Design and testing in accordance with EN 1074.

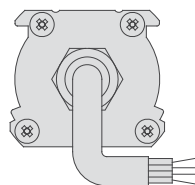
## Electrical data

Output signal	4-20 mA
Nominal power supply	24 Vdc $\pm$ 20%
Max. power ripple	1 Vpp
Max. consumption	90mA
Max. output load	< 500 $\Omega$
Max. output noise	< 5 mVpp
Max. output value	30 mA
Alarm output value	21 mA
Electrical isolation	500 V *
Protection against polarity inversion	Yes
Protection against overvoltage	Yes
Protection against power supply in output	Yes

\*: it includes a 30 V 0,4 J voltage suppressor.

## Electrical connections

Function		Standard cable
Output cursor 1	4-20 mA	grey
GND	(0 V)	pink
Output cursor 1		
Inverse output cursor 1		
Output cursor 2	4-20 mA	yellow
Output speed		
GND		
Output cursor 1	(0 V)	pink
Output cursor 2		
Output speed		
Power supply+		brown
Power supply GND		white



Output cable.