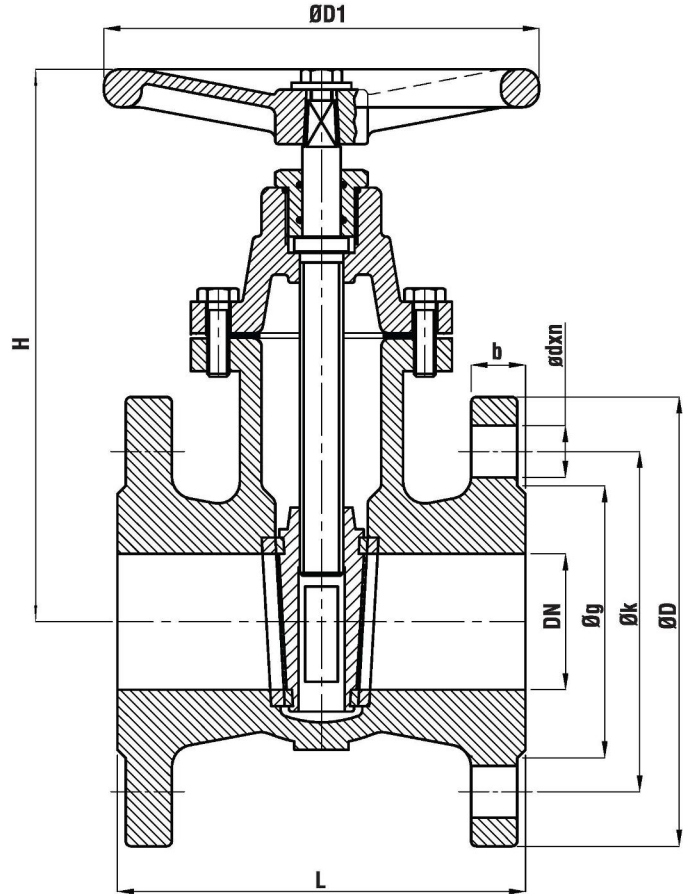


Sürgülü Vana PN10/16 (DIN 3216) / Gate Valve PN10/16 (DIN3216)



| NO | PARÇA ADI | PART NAME | MATERIAL |
|----|-----------|-----------|-----------------|
| 1 | GÖVDE | BODY | GG25 / GGG40.3 |
| 2 | SİT | SEAT | BRASS / BRONZE |
| 3 | SÜRGÜ | WEDGE | GG25 / GGG40.3 |
| 4 | MİL | STEM | STAINLESS STEEL |
| 5 | CONTA | GASKET | NBR |
| 6 | KAPAK | BONNET | GG25 / GGG40.3 |
| 7 | HENDİL | HANDWHEEL | GG20 |

| DN | L | H | ØD ₁ | PN10 | | | | | KG |
|-----|-----|-----|-----------------|------|-----|-----|----|-------|------|
| | | | | ØD | Øk | Øg | b | Ødxn | |
| 40 | 140 | 185 | 160 | 150 | 110 | 84 | 18 | 19x4 | 9 |
| 50 | 150 | 190 | 160 | 165 | 125 | 99 | 20 | 19x4 | 10 |
| 65 | 170 | 210 | 160 | 185 | 145 | 118 | 20 | 19x4 | 14.4 |
| 80 | 180 | 235 | 160 | 200 | 160 | 132 | 22 | 19x8 | 16.7 |
| 100 | 190 | 265 | 200 | 220 | 180 | 156 | 24 | 19x8 | 22.2 |
| 125 | 200 | 350 | 250 | 250 | 210 | 184 | 26 | 19x8 | 36 |
| 150 | 210 | 380 | 250 | 285 | 240 | 211 | 26 | 23x8 | 46 |
| 200 | 230 | 490 | 315 | 340 | 295 | 266 | 26 | 23x8 | 80 |
| 250 | 250 | 615 | 315 | 395 | 350 | 319 | 28 | 23x12 | 125 |
| 300 | 270 | 700 | 315 | 445 | 400 | 370 | 28 | 23x12 | 170 |

UYGULAMA ALANLARI / APPLICATIONS

SICAK VE SOĞUK SU SİSTEMLERİNDE / HOT AND COLD WATER SYSTEMS
SIVI YAKIT TESİSATLARINDA / LIQUID FUEL INSTALLATION
ASİT VE ALKALİ ÖZELLİĞİ BULUNMAYAN YANICI OLMAYAN AKIŞKANLARDA
FLUID EXCLUDING ACID & NON FLAMMABLE FLUIDS

BAĞLANTILAR / ENDS: DIN EN 1092-2

ALINDAN ALINA BOYUTLAR / FACE TO FACE DIMENSIONS:
TS EN 558-1

TESTLER/TESTS: TS EN 12266-1

ÇALIŞMA SICAKLIĞI / WORKING TEMP.: -10°C / 120°C
ÇALIŞMA BASINCI / WORKING PRESSURE: PN10