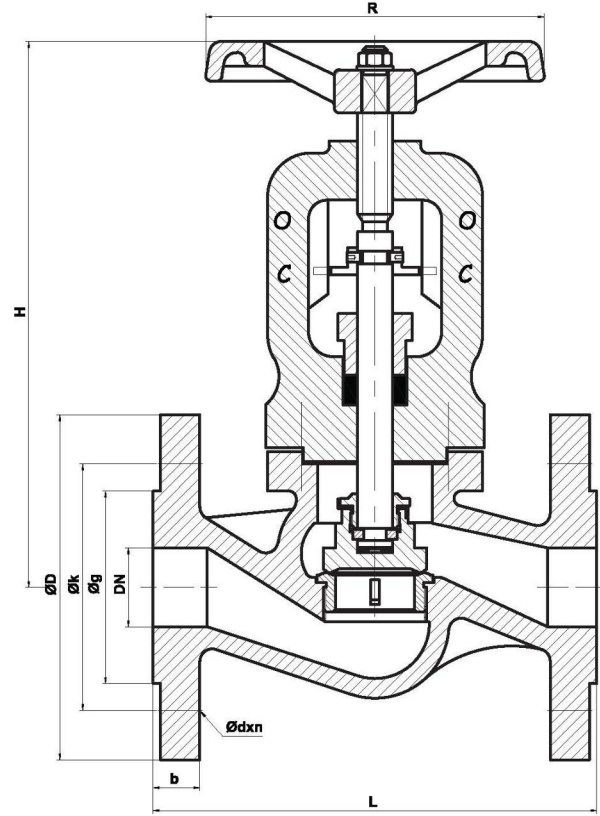




SOYVALVE

Dünyanın Vanasını Üretiyoruz / We Produce The World's Valve

Glob Vana(Düz Tip) / Globe Valve(Straight Type)



NO	PARÇA ADI	PART NAME	MATERIAL
1	GÖVDE	BODY	GG25/GGG40.3/GS-C25/RG5-10/CF8/CF8M
2	SİT	SEAT	Alu Bronze / AISI 420
3	MİL	STEM	AISI 420 / Ms58
4	İNDİKATÖR	INDICATOR	ST37
5	KAPAK	BONNET	GG25/GGG40.3/GS-C25/RG5-10/CF8/CF8M
6	KLAPE	DISC	RG5 / AISI 420
7	RING	RING	RG5 / AISI 420
8	EMNİYET PULU	WASHER SAFETY	Ms58 / AISI 420
9	TESPİT VİDASI	SECURING SCREW	RG5 / AISI 304
10	CONTA	GASKET	KLINGRIT
11	SETUSKUR	SCREW	AISI 304
12	SALMASTRA	PACKING	GRAPHITE
13	GLEN	GLAND	GGG40.3
14	T CİVATA	T BOLT	6.8 STEEL
15	CİVATA	BOLT	8.8 STEEL
16	HENDİL	HANDWHEEL	GG25
17	SOMUN & PUL	NUT & WASHER	STEEL

DN	ØD	Øk	Øg	L	b	ØR	H	STROK	Ødxn	KG
15	95	65	45	130	14	110	215	9	14x4	4,7
20	105	75	58	150	16	110	215	9	14x4	5,5
25	115	85	68	160	16	110	218	12	14x4	6,6
32	140	100	78	180	18	140	220	13	18x4	8,4
40	150	110	88	200	18	140	245	15	18x4	11,1
50	165	125	102	230	20	160	252	20	18x4	14,5
65	185	145	122	290	20	160	280	22	18x4	19,5
80	200	160	138	310	22	200	310	25	18x8	24,5
100	220	180	158	350	24	220	360	30	18x8	36,7
125	250	210	188	400	26	250	420	34	18x8	55
150	285	240	212	480	26	300	498	42	22x8	77,5
200	340	295	268	600	30	400	550	55	22x12	140
250	405	355	320	730	32	500	585	65	26x12	200
300	460	410	370	850	32	500	640	78	26x12	250
350	520	470	430	980	36	500	875	100	26x16	385
400	580	525	482	1100	38	500	955	115	29,5x16	408

UYGULAMA ALANLARI / APPLICATIONS

DENİZ SUYU, TATLI SU, YAĞ VE 220°C KADAR BUHAR DEVRELERİNDE
SEA WATER, FRESH WATER, OIL AND STEAM UP TO 220°C SYSTEMS

ÇALIŞMA ŞARTLARI / WORKING CONDITIONS: DIN 2401

BAĞLANTILAR / ENDS; DIN 1092-2

ÇALIŞMA SICAKLIĞI / WORKING TEMP.: -10°C / 220°C

ÇALIŞMA BASINCI / WORKING PRESSURE : PN16/PN25 / PN40

RENKLER / COLORS

PIK DÖKÜM VANALAR / GREY CAST IRON VALVES : MAVİ / BLUE

SFERO DÖKÜM VANALAR / DUCTILE IRON VALVES : ZEYTİN YEŞİL / OLIVE GREEN

SERTİFİKALI VANALAR / CERTIFICATE VALVES : LACİVERT / ULTRAMARINE BLUE

GÖVDE SEÇENEKLERİ / BODY OPTIONS : GG25/GGG40.3/GS-C25/RG5-10/CF8/CF8M

FACE TO FACE DIMENSIONS TS EN 558-1